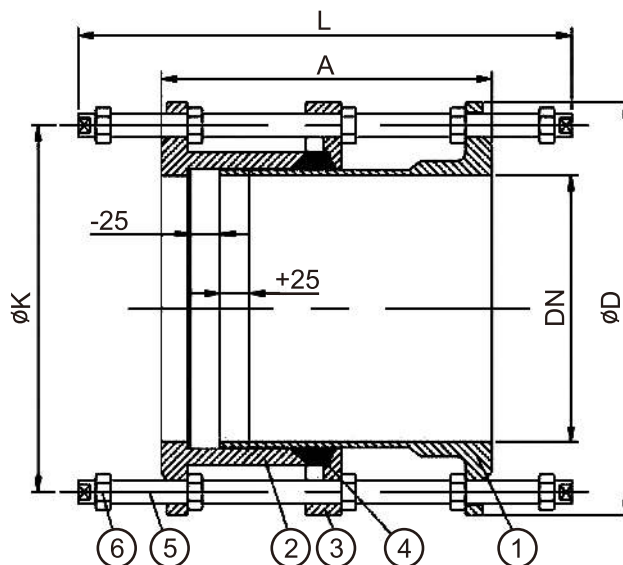


Dismantling joints "DJ - F3"



USE:

- Water supply. Flanged connections pipes of the same diameter.
Element for easy assembly and disassembly fittings.

MATERIALS:

- 1 - body - ductile cast iron protected with epoxy powder coating,
- 2 - flange - ductile cast iron protected with epoxy powder coating,
- 3 - retaining flange - ductile cast iron protected with epoxy powder coating,
- 4 - gasket - EPDM rubber,
- 5 - bolts - galvanized steel,
- 6 - nut - galvanized steel,
- optional: nuts and bolts - stainless steel.

The product has been certified as suitable for contact with potable water.

DN	PN10			PN16			Product code
	Length [mm] A	Diameter [mm] D	Diameter [mm] K	Length [mm] A	Diameter [mm] D	Diameter [mm] K	
80	200	200	160	160	200	160	
100	200	220	180	180	220	180	
125	200	250	210	210	250	210	
150	200	285	240	240	285	240	
200	220	340	295	295	340	295	
250	220	400	350	350	400	355	
300	220	455	400	400	455	410	
350	230	505	460	460	520	470	
400	230	565	515	515	580	525	
450	250	615	565	565	640	585	
500	260	670	620	620	715	650	
600	260	780	725	725	840	770	
700	260	895	840	840	910	840	
800	290	1010	950	950	1025	950	
900	290	1115	1050	1050	1125	1050	
1000	290	1230	1160	1160	1255	1170	
1200	320	1455	1380	1380	1485	1390	