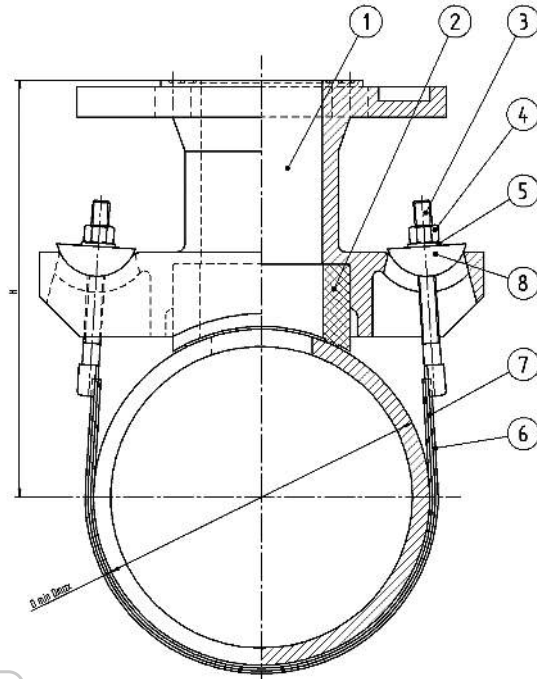


Flanged pipe saddle "RAPIDO 80-500 DN50"





■ USE:

- Clamp Connection with the departure of flange. For mounting on cast iron, steel and asbestos-cement pipes.

■ MATERIALS:

- 1 - body - ductile cast iron protected with epoxy powder coating,
- 2 - gasket - EPDM or NBR rubber,
- 3-5 - bolts, washers, nuts,
- 6 - clamp - stainless steel A2,
- 7 - rubber protection,
- 8 - washer - galvanized steel,
- optional: stainless steel.

The product has been certified as suitable for contact with potable water.

DN	Diameter [mm] D _{min} -D _{max}	Weight [kg]	Flange DN	H [mm]	Product code
80	87 - 100	5,55	50-65	½D + 120	
100	105 - 125	5,60	50-65	½D + 120	
125	130 - 145	5,65	50-65	½D + 120	
150	157 - 180	5,70	50-65	½D + 120	
175	175 - 200	5,75	50-65	½D + 120	
200	215 - 245	5,80	50-65	½D + 120	
225	240 - 265	5,90	50-65	½D + 120	
250	265 - 295	6,00	50-65	½D + 120	
300	318 - 355	6,10	50-65	½D + 120	
400		6,20	50-65	½D + 120	
500		6,20	50-65	½D + 120	