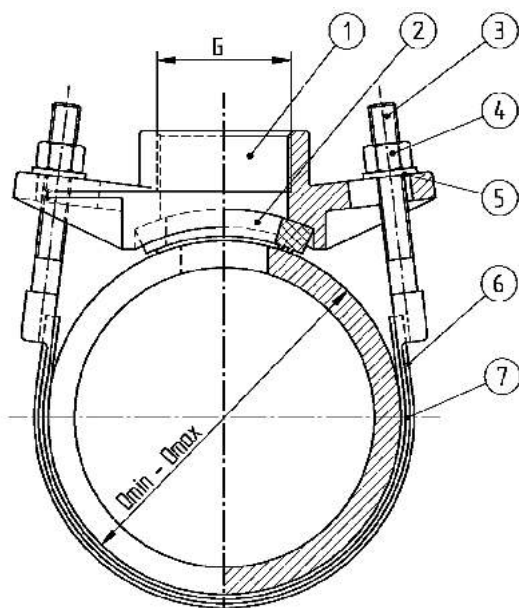


Threaded pipe saddle "RAPIDO FI"



■ USE:

- Clamp connection with the departure of mounting threaded fittings.

■ MATERIALS:

- 1 - body - ductile cast iron protected with epoxy powder coating,
- 2 - gasket - EPDM or NBR rubber,
- 3-7 - stainless steel,
- 6 - rubber protection.

The product has been certified as suitable for contact with potable water.

DN	Diameter [mm] D _{min} - D _{max}	Weight [kg]	Thread [G] from - to	Number of tapes	Product code
50	60 - 78	0,90	3/4" - 1 1/2"	1	
60	70 - 88	0,90	3/4" - 1 1/2"	1	
80	90 - 110	1,70	1" - 2"	1	
100	100 - 130	1,80	1" - 2"	1	
125	135 - 160	1,85	1" - 3"	1 or 2	
150	160 - 185	1,90	1" - 3"	1 or 2	
175	175 - 196	2,00	1" - 3"	1 or 2	
200	210 - 245	2,20	1" - 3"	1 or 2	
225	235 - 265	2,50	1" - 3"	1 or 2	
250	260 - 305	3,20	1" - 3"	1 or 2	
300	310 - 360	3,50	1" - 3"	2	
400	400 - 455	4,20	1" - 4"	2	
500	500 - 560	10,00	1" - 4"	2	
600	610 - 655	11,50	1" - 4"	2	