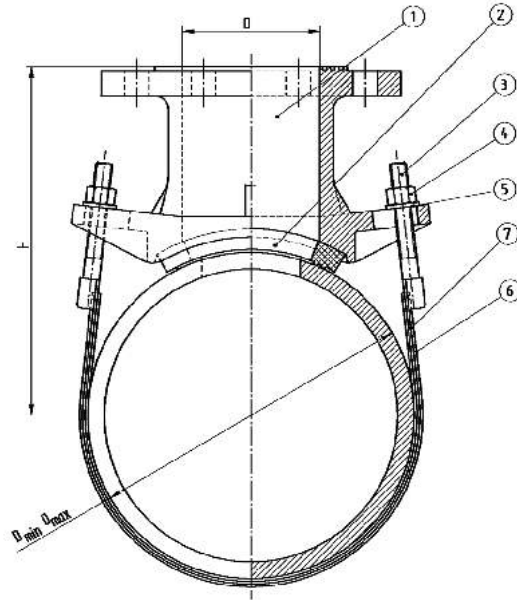


Flanged pipe saddle „RAPIDO FL”



■ USE:

- Flanged pipe saddle designed for use on cast iron , steel pipes and asbestos cement.

■ MATERIALS:

- 1 - body-ductile cast iron epoxy-powder paint coated,
- 2 - gasket - EPDM or NBR rubber,
- 3-5 - stainless steel,
- 6 - rubber protection,
- 7 - stainless steel.

The product has been certified as suitable for contact with potable water.

DN	Diameter [mm] D _{min} - D _{max}	Weight [kg]	Flange DN	Length [mm] L	Product code
80	90 - 110	7,00	50	½D+140	
100	100 - 130	7,00	50-65	½D+140	
125	135 - 160	8,00	50-80	½D+140	
150	160 - 185	8,00	50-100	½D+140	
175	175 - 195	8,00	50-100	½D+140	
200	210 - 245	9,00	50-100	½D+140	
225	235 - 265	10,00	50-100	½D+140	
250	260 - 305	10,00	50-100	½D+140	
300	310 - 360	11,00	50-100	½D+140	
350	350 - 405	11,00	50-100	½D+140	
400	400 - 455	14,00	50-100	½D+140	
450	455 - 510	14,00	50-100	½D+140	
500	500 - 560	14,00	50-100	½D+140	
600	610 - 665	14,00	50-100	½D+140	
700	720 - 780	22,00	50-100	½D+140	
800	820 - 880	22,00	50-100	½D+140	
1000	1010 - 1070	30,00	50-100	½D+140	