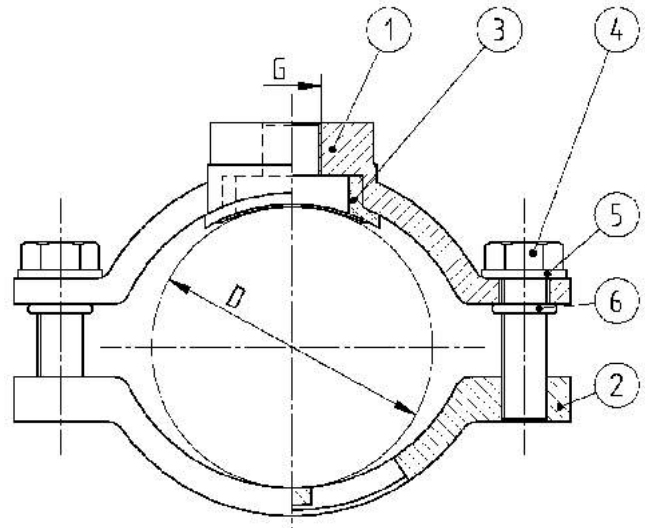


Intake collar "RAPIDO FR"



■ USE:

- For tapping every kind of pipe which conveys gas or other fluids.

■ MATERIALS:

- 1,2 - body - ductile cast iron protected with epoxy powder coating,
 - 3 - gasket - EPDM or NBR rubber,
 - 4 - bolts - galvanized steel,
 - 5 - washer - galvanized steel,
 - 6 - o - ring - EPDM or NBR rubber.
- Cylindrical thread according to ISO 228 / 1

The product has been certified as suitable for contact with potable water.

DN	Diameter [mm] D _{min} - D _{max}	Weight [kg]	Thread G from - to	Product code
50	59 - 71	1,00	3/4" - 1 1/4"	
60/65	69 - 88	1,55	3/4" - 1 1/4"	
80	88 - 109	1,23	3/4" - 1 1/4"	
100	107 - 128	1,45	3/4" - 1 1/4"	
125	132 - 152	1,60	3/4" - 1 1/4"	
150	158 - 182	1,96	3/4" - 1 1/4"	
200	217 - 234	2,20	3/4" - 1 1/4"	
250	270 - 288	2,50	3/4" - 1 1/4"	
300	311 - 336	2,90	3/4" - 1 1/4"	