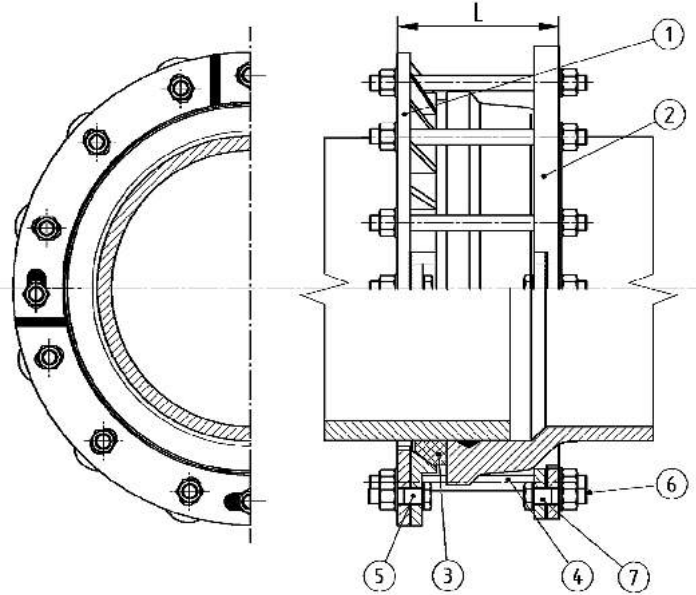


Adjustable bell joint repair clamp „STOP”



■ USE:

- Additional seal flare connections cast iron pipes.

■ MATERIALS:

- 1,2 - body - ductile cast iron protected with epoxy powder coating,
- 3 - gasket - EPDM or NBR rubber,
- 4-7 - galvanized steel,
- optional: nuts and bolts - stainless steel.

The product has been certified as suitable for contact with potable water.

DN	Diameter [mm] D _{min} - D _{max}	Weight [kg]	Number of bolts	Length [mm] L	Product code
50	68 - 73	4,00	4	120	
60	77 - 82	6,50	6	120	
80	100 - 106	8,50	6	120	
100	120 - 126	10,50	6	180	
125	146 - 156	11,00	6	180	
150	172 - 180	12,00	6	180	
175	204 - 218	14,00	6	180	
200	224 - 240	16,00	8	180	
225	250 - 266	19,00	12	180	
250	276 - 294	23,00	12	180	
275	302 - 310	25,00	12	180	
300	328 - 346	27,00	12	180	
350	380 - 398	31,00	16	180	
400	432 - 458	37,00	15	180	
450	484 - 512	43,00	15	180	
500	536 - 564	46,00	20	180	
600	638 - 666	62,00	25	180	
700	740 - 770	65,00	25	180	
800	846 - 886	78,00	32	180	
1000	1050 - 1092	94,00	36	180	
1200	1235 - 1329	139,00	40	180	