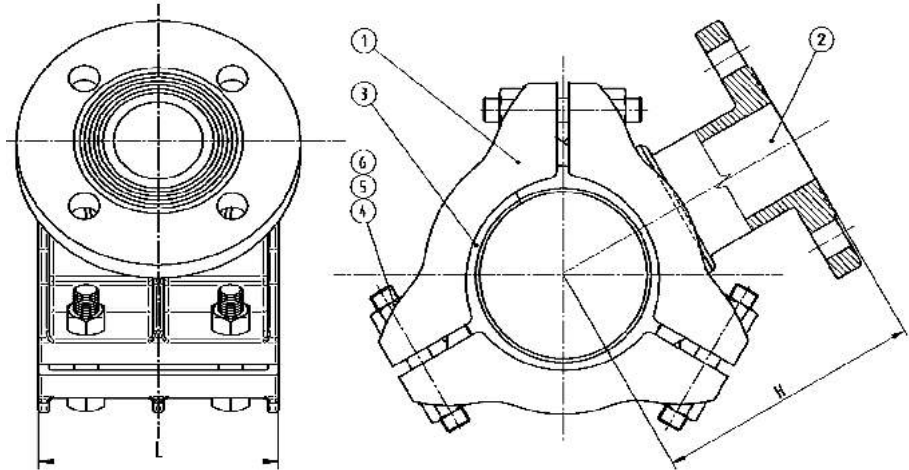


Split collar (three parts) „TREPI FL” with flanged derivation



■ USE:

- For mounting on a pipeline to create a diversion. For the drilling of pipes made from various materials.

■ MATERIALS:

- 1,2 - body - ductile cast iron protected with epoxy powder coating,
- 3 - gasket - EPDM or NBR rubber,
- 4-6 - galvanized steel,
- optional: nuts and bolts - stainless steel.

The product has been certified as suitable for contact with potable water.

DN	Diameter [mm] D _{min} - D _{max}	Weight [kg]	Bolts	Length [mm] L	Flange DN	H [mm]	Product code
80	87 - 106	14,50	6xM16	170	50-60	½ D+190	
100	108 - 126	16,50	6xM16	170	50-80	½ D+190	
125	135 - 160	24,00	6xM16	185	50-100	½ D+190	
150	159 - 184	25,00	6xM16	220	50-125	½ D+190	
175	190 - 220	26,00	9xM16	275	50-150	½ D+190	
200	210 - 240	31,00	9xM16	275	50-150	½ D+190	
225	240 - 255	32,00	9xM16	280	50-150	½ D+190	
250	250 - 288	68,00	9xM20	365	50-150	½ D+190	
275	290 - 312	75,00	9xM20	365	50-150	½ D+190	
300	312-345 or 302-335	82,00	12XM20	420	50-150	½ D+190	
350	360-390 or 350-380	100,00	12XM20	425	50-150	½ D+190	
400	410-460 or 400-450	117,00	12XM20	430	50-150	½ D+190	
450	460-510 or 450-500	125,00	12XM20	420	50-200	½ D+190	
500	510-570 or 500-560	140,00	12XM20	420	50-200	½ D+190	
550	570-620 or 560-610	145,00	12XM20	420	50-200	½ D+190	
600	620-680 or 610-670	150,00	12XM20	420	50-200	½ D+190	
700	730-800 or 720-790	170,00	12XM20	420	50-200	½ D+190	
800	810-860 or 800-850	190,00	12XM20	420	50-200	½ D+190	