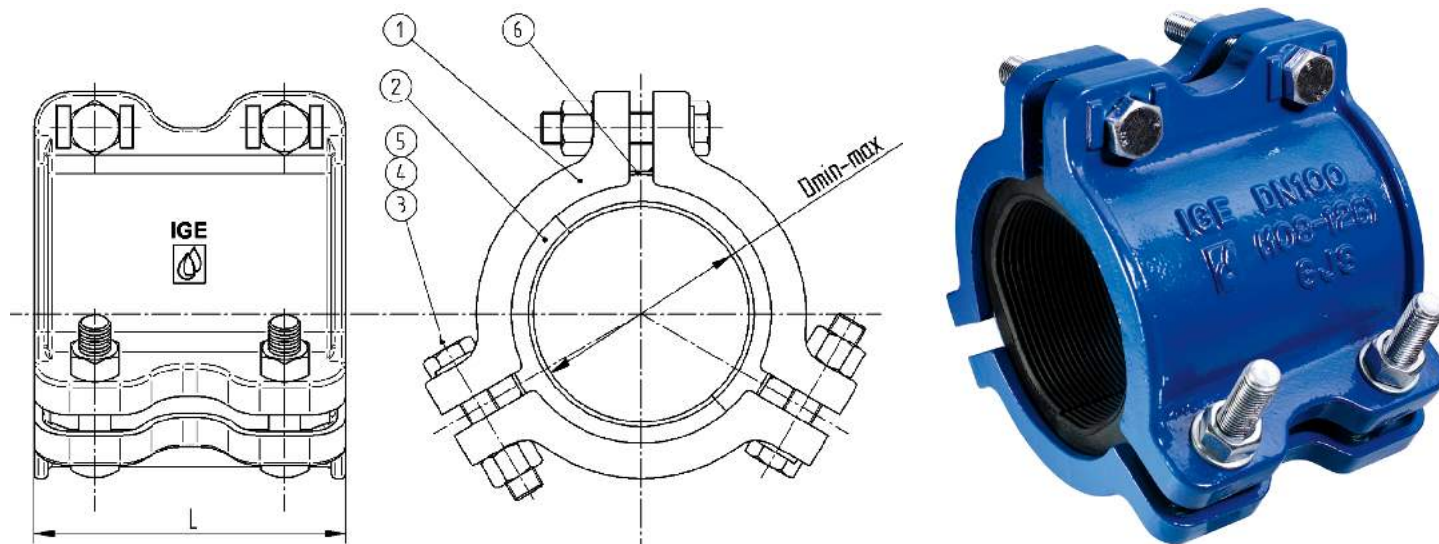


Split collar (three parts) "TREPI - LS"



■ USE:

- For connections and repairs of leaking pipes made from various materials.

■ MATERIALS:

- 1 - body - ductile cast iron protected with epoxy powder coating,
- 2 - gasket - EPDM or NBR rubber,
- 3-5 - bolts, nuts and washers - galvanized steel.

The product has been certified as suitable for contact with potable water.

DN	Diameter [mm] D _{min} - D _{max}	Weight [kg]	Bolts	Length [mm] L	Product code
80	87 - 106	9,50	6xM12	170	
100	108 - 126	11,50	6xM16	170	
150	159 - 184	18,00	6xM16	235	
200	210 - 240	23,00	9xM16	250	
250	250 - 288	49,00	9xM20	370	
300	312 - 345	55,00	9xM20	370	