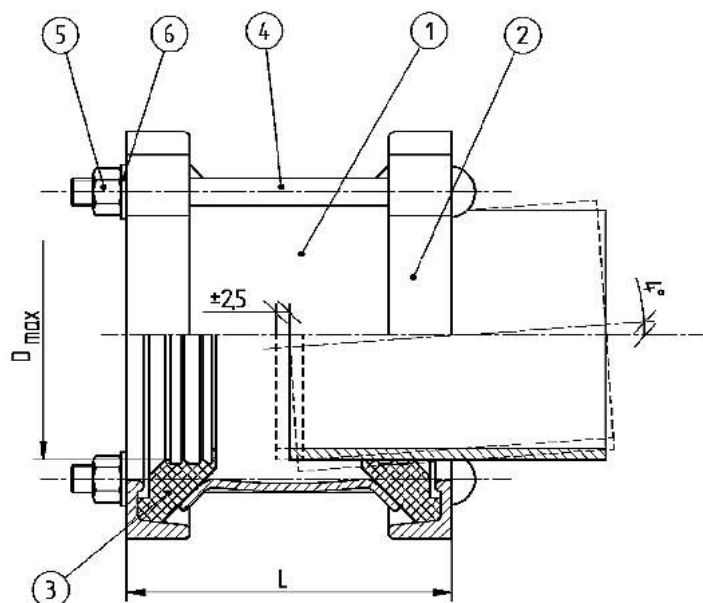


Medium range coupling "UNIVERSAL BF"



■ USE:

- For the connections pipes made of different materials and connections of pipes a different external diameters. Allows for axial movement and angular deflection. The permissible angular deviation of the pipe connecting the to 4 °. Permissible axial displacement of ± 2.5 mm gasket.

■ MATERIALS:

- 1,2 - body - ductile cast iron protected with epoxy powder coating,
- 3 - gasket - EPDM or NBR rubber,
- 4-6 - galvanized steel,
- optional: nuts and bolts - stainless steel.

The product has been certified as suitable for contact with potable water.

DN	Diameter [mm] D _{min} - D _{max}	Weight [kg]	Number of bolts	Length [mm] L	Product code
40	48-60	2,90	2xM12	150	
50	59-72	3,20	4xM12	150	
65	72-85	3,20	2xM12	140	
80	88-103	4,20	4xM12	150	
100	108-128	5,10	4xM12	150	
125	132-146	5,90	4xM12	150	
125/150	138-153	6,50	4xM12	150	
150	159-182	7,70	4xM12	180	
175	192-210	9,10	4xM12	200	
200	218-235	9,90	4xM12	200	
225	230-247	13,55	6xM12	200	
250	250-267	14,50	6xM12	200	
250	272-289	16,50	6xM12	200	
300	315-332	23,50	8xM12	240	
300	322-339	29,00	6xM12	240	
300	332-349	30,00	6xM12	240	
300	352-368	31,00	6xM12	240	
350	350-374	31,90	8xM12	240	
350	374-391	33,00	8xM12	240	
400	400-429	38,50	6xM16	240	
400	418-435	40,00	6xM16	240	
400	425-442	40,70	6xM16	240	
450	476-493	47,30	10xM16	240	
500	500-532	35,00	10xM16	240	
500	527-544	53,90	10xM16	240	
600	600-630	41,00	10xM16	240	
600	630-647	41,00	10xM16	240	