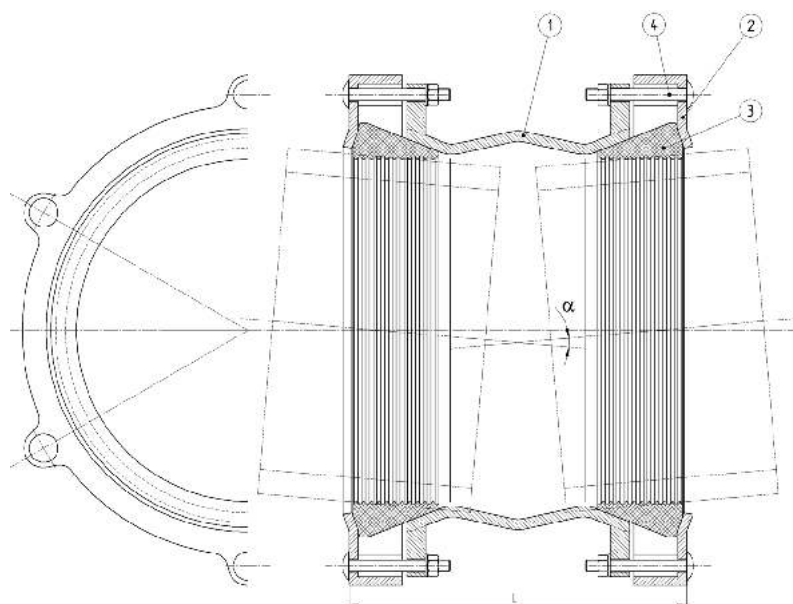


Pipe coupling "UNIVERSAL GT"



■ USE:

- For the connections pipes made of different materials and connections of pipes a different external diameters. The permissible angular deviation of the pipe connecting the to 8°.

■ MATERIALS:

- 1,2 - body - ductile cast iron protected with epoxy powder coating,
- 3 - gasket - EPDM or NBR rubber,
- 4 - nuts and bolts - galvanized steel,
- optional: nuts and bolts - stainless steel.

The product has been certified as suitable for contact with potable water.

DN	Diameter [mm] D _{min} - D _{max}	Weight [kg]	Number of bolts	Length [mm] L	Product code
50	40 - 75	7,00	8xM14	300	
80	80 - 115	9,00	8xM14	300	
100	105 - 135	10,20	8xM14	300	
150	155 - 195	14,70	8xM14	300	
200	215 - 258	24,00	8xM14	340	
250	270 - 310	26,00	12xM16	360	
300	310 - 350	32,60	12xM16	360	
400	395 - 435	40,00	12xM16	360	