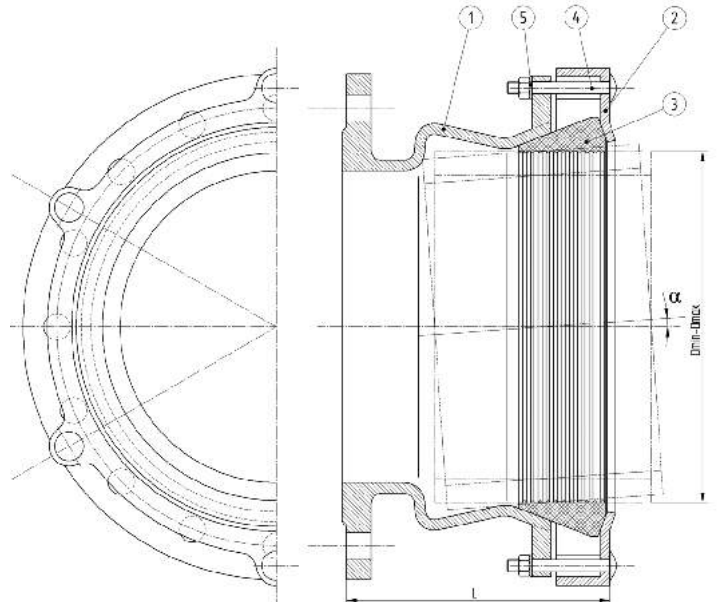


Flange adaptor "UNIVERSAL GT/FL"



■ USE:

- For the connections pipes made of different materials and connections of pipes a different external diameters. The permissible angular deviation of the pipe connecting the to 8°.

■ MATERIALS:

- 1,2 - body - ductile cast iron protected with epoxy powder coating,
- 3 - gasket - EPDM or NBR rubber,
- 4,5 - nuts and bolts - galvanized steel,
- optional: nuts and bolts - stainless steel.

The product has been certified as suitable for contact with potable water.

DN	Diameter [mm] D _{min} - D _{max}	Weight [kg]	Number of bolts	Length [mm] L	Product code
40/50	40 - 75	7,00	4xM14	200	
80	80 - 115	9,00	4xM14	240	
100	105 - 135	15,00	4xM14	240	
150	155 - 195	24,00	4xM16	270	
200	215 - 258	30,00	6xM14	270	
250	270 - 310	39,00	6xM16	290	
300	310 - 350	49,00	6xM16	290	
400	395 - 435	62,00	6xM16	300	